

Motion detector - Professional Line

IS 2180 ECO

white

EAN 4007841 034696

Article number 034696



Attractive, clever, efficient. Infrared motion detector IS 2180 ECO for outdoors, ideal for building fronts and properties, medium-sized business and outdoor spaces, ideal installation height 2 m, 180° angle of coverage, reach. 12 m max. or 5 m max. (tangential), selectable time and twilight threshold, manual override, including corner wall mount for external and internal corner.

IS 2180 ECO

white

EAN 4007841 034696

Article number 034696



Technical specifications

Type	Motion detectors	Fluorescent lamps, uncorrected	500 VA
Dimensions (L x W x H)	55 x 78 x 120 mm	Fluorescent lamps, series-corrected	406 VA
Mains power supply	230 – 240 V / 50 Hz	Fluorescent lamps, parallel-corrected	406 VA
Sensor Technology	passive infrared	Switching output 1, low-voltage halogen lamps	1000 VA
Application, place	Outdoors	LED lamps	16 W
Installation site	wall, corner	LED lamps > 2 W	64 W
Installation	Surface wiring	LED lamps > 8 W	64 W
Mounting height	1,8 – 4 m	Capacitive load in μF	132 μF
Reach, radial	$r = 1.5 \text{ m} (4 \text{ m}^2) / r = 3 \text{ m} (14 \text{ m}^2)$	Constant-lighting control	No
Reach, tangential	$r = 5 \text{ m} (39 \text{ m}^2) / r = 12 \text{ m} (226 \text{ m}^2)$	Basic light level function	No
Detection angle	180 °	Settings via	Potentiometers
Angle of aperture	90 °	With remote control	No
Switching zones	504 switching zones	Interconnection	Yes
Optimum mounting height	2 m	Type of interconnection	Master/master
Mechanical scalability	No	IP-rating	IP54
Sneak-by guard	Yes	Material	Plastic
Capability of masking out individual segments	Yes	Ambient temperature	-20 – 50 °C
Electronic scalability	No	Application, room	outdoors, front door, all round the building, terrace / balcony, courtyard & driveway
Twilight setting TEACH	No	Colour	white
Twilight setting	2 – 2000 lx	Colour, RAL	9010
Time setting	10 s – 15 Min.	IDs, certificates	VDE
Output	2000 W	Manufacturer's Warranty	5 years
Switching output 1, resistive	2000 W	Version	white
Switching output 1, number of LEDs / fluorescent lamps	6 pcs.	PU1, EAN	4007841034696
Fluorescent lamps, electronic ballast	1000 W		

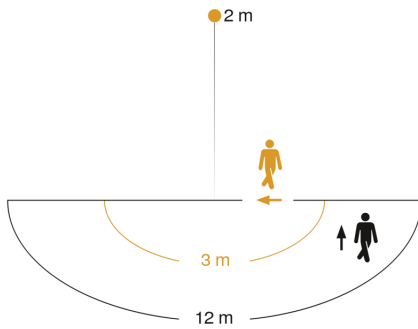
IS 2180 ECO

white

EAN 4007841 034696

Article number 034696

Detection Zone

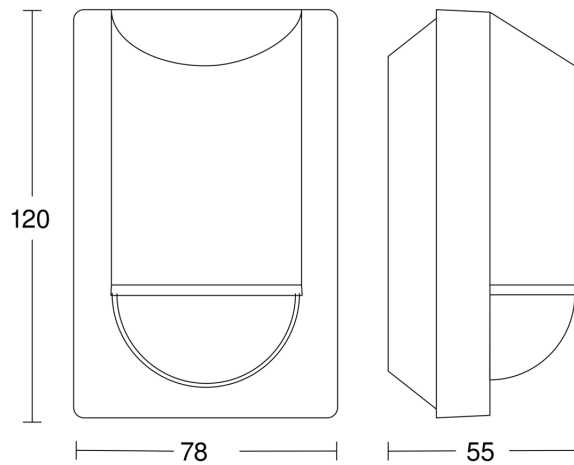


Mögliche Montagehöhe: 1,80 m – 4,00 m

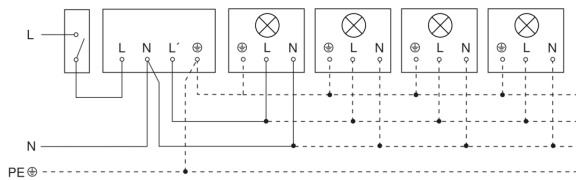
Orange: radial

Schwarz: tangential

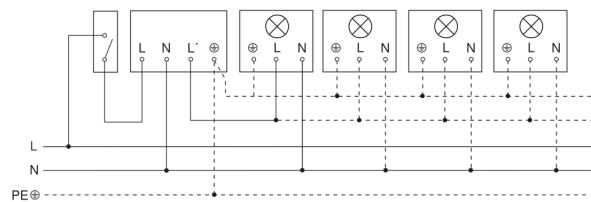
Dimension Drawing



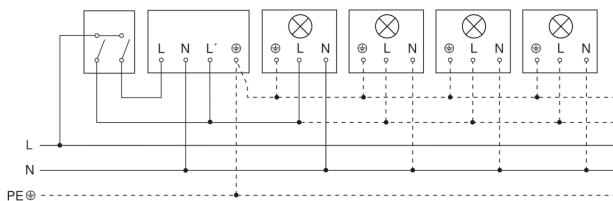
Light without neutral conductor



Light with neutral conductor



Connection using two-circuit switch for manual and automatic operation



Connection via a two-way switch for manual override and automatic operation

