



ELIA FL is a LED outdoor floodlight available in low, medium and high power versions for lighting external industrial areas, such as façades, car parks and walkways or driveways. It can be mounted on surfaces, ceilings or on the ground using the adjustable steel bracket supplied with the device, or in the pole head version, courtesy of the dedicated accessory for poles with a diameter of up to 61 mm. Crafted from black powder-coated die-cast aluminium, it is available in four sizes and powers, with integrated power supply in the On/Off or DALI options, three types of optic (30°, 60° and asymmetrical) with a colour temperature of 4,000 K (neutral white) and a colour rendering index of more than 80. Tough and durable, ELIA FL has been designed to withstand overvoltages of up to 10kV and temperature variations from -30°C to + 50°C, and offers protection from water and dust penetration of up to level IP66 and from shocks and impacts of up to level IK08. ELIA FL is quick and easy to install thanks to its limited weight and adjustable bracket.

GENERAL INFORMATION

Context	Industry, Logistic, Façade, Sport
Luminaire	LED luminaire with small, mid and high lumen power
Aplicação	Interior/Exterior
Unique digital code (Datamatrix)	Currently not present
Cor	Preto
Tipo de fonte luminosa	LED - Não substituível
Potência de sistema	150 W
Lifetime	L80 B50 (Tq25°) = 50.000h
Peso (kg)	4.5
Garantia	5 anos
Temperatura de armazenagem	-40° +85°
Operating temperature	-30° +50°

MATERIALS

Body	Injeção de alumínio
Vidro	Flat silked tempered glass 4mm thick with Gewiss logo
Optic	With high efficiency optic system
Gasket	-
Locking Hook	-
External screw	Aço inoxidável
Colour	Powder coating

STANDARDS AND APPROVALS

Classificação	-
Aparelho com reduzida temperatura superficial	-
Certificação DIN 18032-3	-
IPEA	-
Classe isolamento	I
Grau de protecção	IP66
Resistên. golpes	IK08
Glow Wire Test	750 °C

OPTIC AND ILLUMINATING FEATURES

Óptica	60°
Unified Glare Rating	ULOR = 0%
Lúmen saída (lm)	20400
Efficiency (lm/W)	136
Temperatura de cor	4000 K
Color Rendering Index	CRI 80
Standard Deviation Colour Matching	SDCM = 5
Photobiological Risk Class	RG0
Norma	-

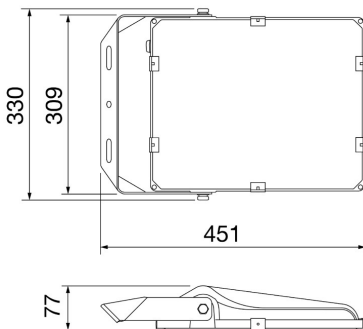
ELETRICAL AND LIGHTING FEATURES

Tensão de alimentação	100-240 V
Frequência nominal (Hz)	50 / 60
Driver	Included
Overvoltage protection	Overvoltage protection 10-6kV
Control System	ON OFF

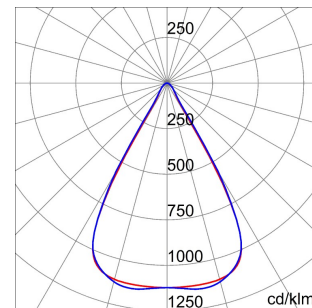
INSTALLATION AND MAINTENANCE

Mouting and installation	Ceiling - Wall - Floor
Tilt	With adjustable bracket assembled
Wiring	With power cable
Fixação	-
Optic Maintenance	Not available
LED Maintenance	Not available
Driver Box	Integrado
Superfície máxima exposta ao vento	0,12 m²

DIMENSIONAL



PHOTOMETRIC DISTRIBUTION



TECHNICAL SYMBOLOGY



IP
IP66

IK
IK08

GWT
750 °C

STANDARDS/APPROVALS



Data, measures, designs and pictures are shown only as informativ purposes,
and could be changed without previous notice - Last update 18/02/2020