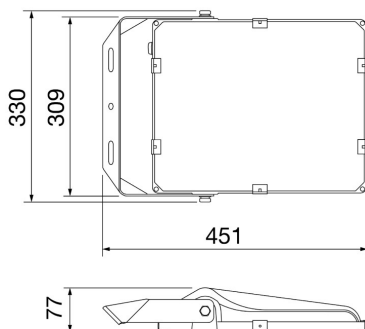




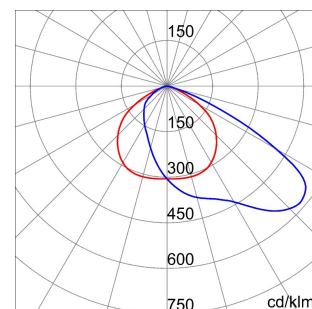
ELIA FL is a LED outdoor floodlight available in low, medium and high power versions for lighting external industrial areas, such as façades, car parks and walkways or driveways. It can be mounted on surfaces, ceilings or on the ground using the adjustable steel bracket supplied with the device, or in the pole head version, courtesy of the dedicated accessory for poles with a diameter of up to 61 mm. Crafted from black powder-coated die-cast aluminium, it is available in four sizes and powers, with integrated power supply in the On/Off or DALI options, three types of optic (30°, 60° and asymmetrical) with a colour temperature of 4,000 K (neutral white) and a colour rendering index of more than 80. Tough and durable, ELIA FL has been designed to withstand overvoltages of up to 10kV and temperature variations from -30°C to + 50°C, and offers protection from water and dust penetration of up to level IP66 and from shocks and impacts of up to level IK08. ELIA FL is quick and easy to install thanks to its limited weight and adjustable bracket.

GENERAL INFORMATION		OPTIC AND ILLUMINATING FEATURES	
Context	Industry, Logistic, Façade, Sport	Óptica	Assimétrica
Luminaire	LED luminaire with small, mid and high lumen power	Unified Glare Rating	ULOR = 0%
Aplicação	Interior/Exterior	Lúmen saída (lm)	19600
Unique digital code (Datamatrix)	Currently not present	Efficiency (lm/W)	131
Cor	Preto	Temperatura de cor	4000 K
Tipo de fonte luminosa	LED - Não substituível	Color Rendering Index	CRI 80
Potência de sistema	150 W	Standard Deviation Colour Matching	SDCM = 5
Lifetime	L80 B50 (Tq25°) = 50.000h	Photobiological Risk Class	RG0
Peso (kg)	4.5	Norma	-
Garantia	5 anos	ELETRICAL AND LIGHTING FEATURES	
Temperatura de armazenagem	-40° +85°	Tensão de alimentação	100-240 V
Operating temperature	-30° +50°	Frequência nominal (Hz)	50 / 60
MATERIALS		Driver	Included
Body	Injeção de alumínio	Overvoltage protection	Overvoltage protection 10-6kV
Vidro	Flat silked tempered glass 4mm thick with Gewiss logo	Control System	ON OFF
Optic	With high efficiency optic system	INSTALLATION AND MAINTENANCE	
Gasket	-	Mouting and installation	Ceiling - Wall - Floor
Locking Hook	-	Tilt	With adjustable bracket assembled
External screw	Aço inoxidável	Wiring	With power cable
Colour	Powder coating	Fixação	-
STANDARDS AND APPROVALS		Optic Maintenance	Not available
Classificação	-	LED Maintenance	Not available
Aparelho com reduzida temperatura superficial	-	Driver Box	Integrado
Certificação DIN 18032-3	-	Superfície máxima exposta ao vento	0,12 m²
IPEA	-	-	-
Classe isolamento	I	-	-
Grau de protecção	IP66	-	-
Resistên. golpes	IK08	-	-
Glow Wire Test	750 °C	-	-

### DIMENSIONAL



### PHOTOMETRIC DISTRIBUTION



### TECHNICAL SYMBOLOGY



IP  
IP66

IK  
IK08

GWT  
750 °C

### STANDARDS/APPROVALS



Data, measures, designs and pictures are shown only as informativ purposes,  
and could be changed without previous notice - Last update 18/02/2020