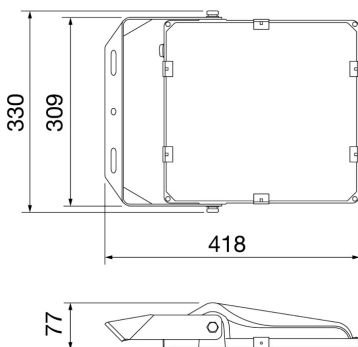




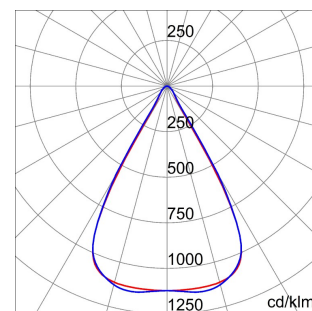
ELIA FL is a LED outdoor floodlight available in low, medium and high power versions for lighting external industrial areas, such as façades, car parks and walkways or driveways. It can be mounted on surfaces, ceilings or on the ground using the adjustable steel bracket supplied with the device, or in the pole head version, courtesy of the dedicated accessory for poles with a diameter of up to 61 mm. Crafted from black powder-coated die-cast aluminium, it is available in four sizes and powers, with integrated power supply in the On/Off or DALI options, three types of optic (30°, 60° and asymmetrical) with a colour temperature of 4,000 K (neutral white) and a colour rendering index of more than 80. Tough and durable, ELIA FL has been designed to withstand overvoltages of up to 10KV and temperature variations from -30°C to + 50°C, and offers protection from water and dust penetration of up to level IP66 and from shocks and impacts of up to level IK08. ELIA FL is quick and easy to install thanks to its limited weight and adjustable bracket.

GENERAL INFORMATION		OPTIC AND ILLUMINATING FEATURES	
Context	Industry, Logistic, Façade, Sport	Optic	60°
Luminaire	LED luminaire with small, mid and high lumen power	Unified Glare Rating	ULOR = 0%
Application	Indoor / Outdoor	Lumen output (lm)	13400
Unique digital code (Datamatrix)	Currently not present	Efficiency (lm/W)	134
Colour	Black	Colour temperature	4000 K
Type of light source	LED - Not replaceable	Color Rendering Index	CRI 80
System power	100 W	Standard Deviation Colour Matching	SDCM = 5
Lifetime	L80 B50 (Tq25°) = 50.000h	Photobiological Risk Class	RG0
Weight (kg)	3.9	Standard	-
Warranty	5 years	ELETRICAL AND LIGHTING FEATURES	
Stocking temperature	-40° +85°	Supply voltage	100-240 V
Operating temperature	-30° +50°	Rated frequency (Hz)	50 / 60
MATERIALS		Driver	Included
Body	Die-cast aluminium	Overvoltage protection	Overvoltage protection 10-6kV
Shield type	Flat silked tempered glass 4mm thick with Gewiss logo	Control System	ON OFF
Optic	With high efficiency optic system	INSTALLATION AND MAINTENANCE	
Gasket	-	Mouting and installation	Ceiling - Wall - Floor
Locking Hook	-	Tilt	With adjustable bracket assembled
External screw	Stainless steel	Wiring	With power cable
Colour	Powder coating	Fixing	-
STANDARDS AND APPROVALS		Optic Maintenance	Not available
Classification	-	LED Maintenance	Not available
Device with reduced surface temperature	-	Driver Box	Built-in
DIN 18032-3 certification	-	Maximum surface exposed to the wind	0.1 m²
IPEA	-		-
Insulation class	I		-
IP degree	IP66		-
Mechanical resistance	IK08		-
Glow Wire Test	750 °C		-

DIMENSIONAL



PHOTOMETRIC DISTRIBUTION



TECHNICAL SYMBOLOGY



IP
IP66

IK
IK08

GWT
750 °C

STANDARDS/APPROVALS



Data, measures, designs and pictures are shown only as informativ purposes,
and could be changed without previous notice - Last update 13/02/2020