

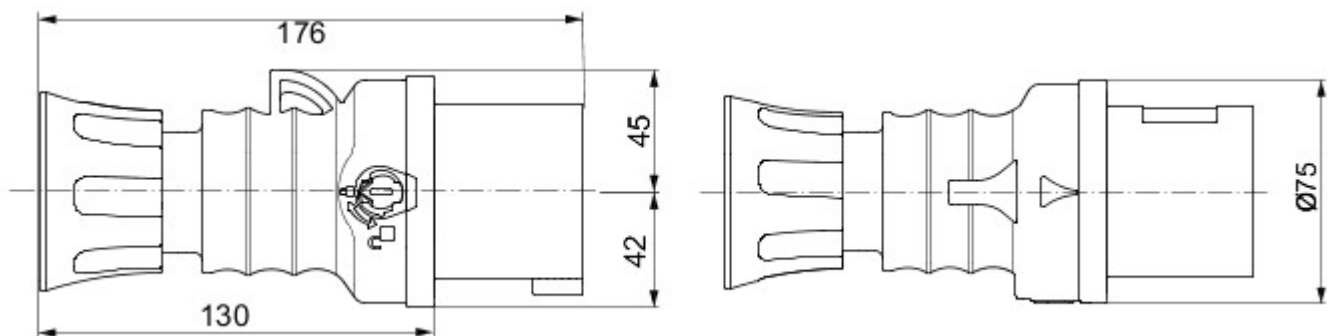


IEC 309 HP: range of plugs and socket-outlets complying with the safety requisites defined by the international Standards IEC 60309-1 and IEC 60309-2 and assimilated at European level as EN 60309-1 and EN 60309-2. This range expands GEWISS's assortment from 16A to 125A straight plugs, straight connectors and 10° flush-mounting socket-outlets with IP44/IP54 and IP66/IP67/IP68/IP69 degrees of protection to ensure full protection for all applications. The technopolymers and thickness used for the parts made of insulating material guarantee an elevated degree of mechanical and chemical agent resistance. All the sleeves and pins of the IEC 309 HP socket-outlets and plugs are surface-treated with nickel-plating to ensure full protection against corrosion, oxidation and abrasion. All the external metallic elements of the IEC 309 HP plugs and socket-outlets are made of stainless steel (the threaded metallic inserts for the body-grip coupling of the 63-125A versions are made of brass).

Cor	Vermelho	Corrente nominal (A)	32
Grau de protecção	IP44/IP54	N. pólos	3P+N+T
Resistên. golpes	IK09	Referência h	6
Tipologia	Ficha reta	Tensão nominal	380 - 415 V
Frequência	50/60 Hz	Capacidade de aperto do terminal	2,5-6 mm ² cabo flexível - 2,5-10 mm ² cabo rígido
Capacidade de aperto da prensa	9,2-19,9 mm	Temperatura de uso	-25 +55 °C
Tipo de cablagem	A parafuso	Tipo de material	Livres halogéneos segundo EN 60754-2
Código Electrocod	2230	Teste de fio incandescente	850 °C (partes ativas) - 650 °C (partes passivas)
Número total de manobras	> 2000	Sobrecarga admissível	42 A
Poder de interrupção a 1,1 Um	40 A	Resistência de isolamento	> 10 MΩ
Termopressão com esfera	125 °C (partes ativas) - 80 °C (partes passivas)		



DIMENSIONAL



TECHNICAL SYMBOLOGY

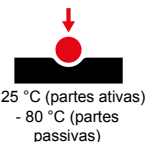
IP
IP44/IP54

IK
IK09



HF
HALOGEN FREE
Livres halogéneos segundo EN 60754-2

GWT



STANDARDS/APPROVALS

